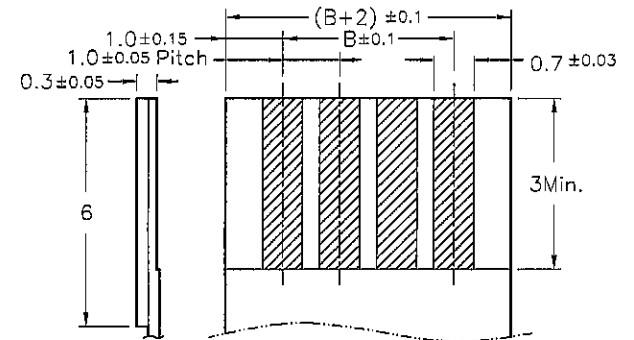
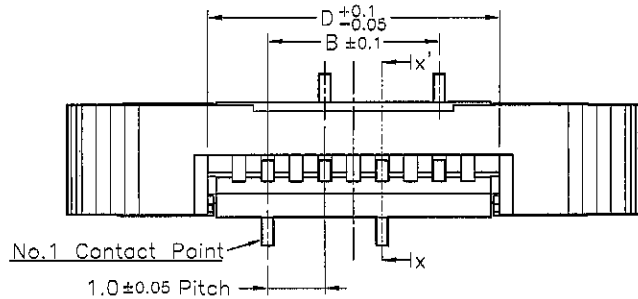


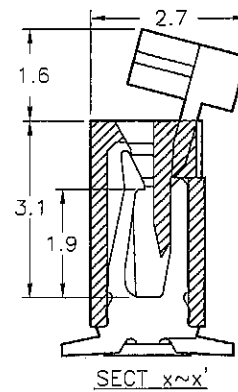
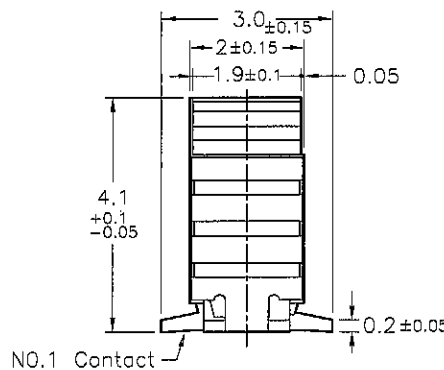
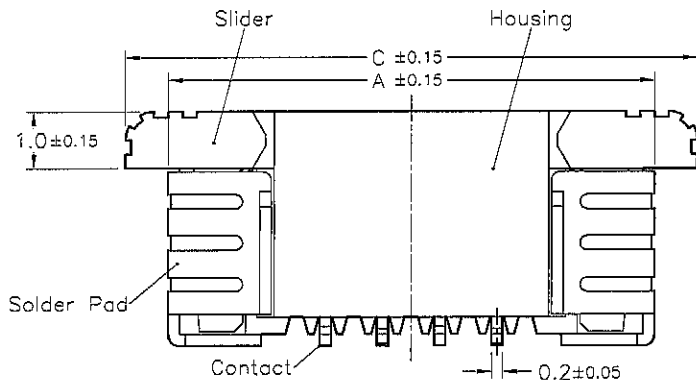
NOTE:

1. MATERIAL:
HOUSING: THERMOPLASTIC
SLIDER: THERMOPLASTIC
CONTACTS: COPPER ALLOY
SOLDER PAD: COPPER ALLOY
2. PLATING:
CONTACTS: SEE ORDERING INFORMATION
SOLDER PAD: SEE ORDERING INFORMATION
3. PART NO.:
BL113H-xx S-xx xx
 - ND-TIN OVER NICKEL (LEAD FREE)
 - GF-1u"~3u" GOLD FLASH OVER NICKEL
 - PACKAGING
 - TA-EMBOSSED TAPE
 - TU-TUBE
 - STRAIGHT
 - NO. OF CONTACTS
4. RATING:
OPERATING VOLTAGE: 50V
CURRENT RATING: 0.5A
OPERATING TEMPERATURE: -55°C~+85°C

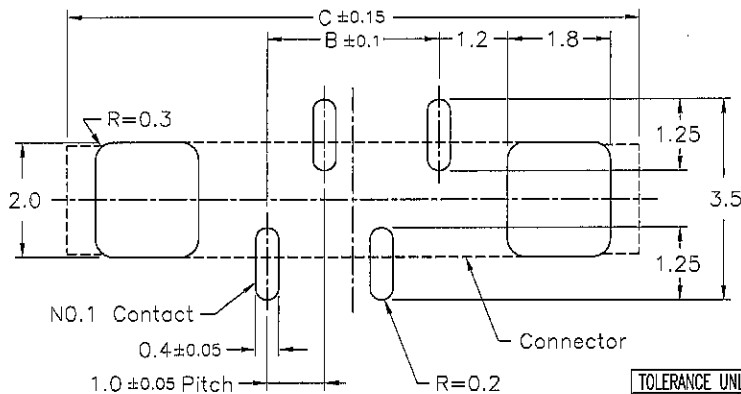
REV.	ECO NO.	DATE	SIGN	DESCRIPTION
A	-	20100505	Eric Hsu	Release
B	EC02012030	20120525	Joye	取消3G電鍍規格



Applicable FPC



No. of Contacts	Part Number	DIM. A	DIM. B	DIM. C	DIM. D
4	BL113H-04S	8.5	3	10	5.1
5	BL113H-05S	9.5	4	11	6.1
6	BL113H-06S	10.5	5	12	7.1
7	BL113H-07S	11.5	6	13	8.1
8	BL113H-08S	12.5	7	14	9.1
9	BL113H-09S	13.5	8	15	10.1
10	BL113H-10S	14.5	9	16	11.1
11	BL113H-11S	15.5	10	17	12.1
12	BL113H-12S	16.5	11	18	13.1
13	BL113H-13S	17.5	12	19	14.1
14	BL113H-14S	18.5	13	20	15.1
15	BL113H-15S	19.5	14	21	16.1
16	BL113H-16S	20.5	15	22	17.1
17	BL113H-17S	21.5	16	23	18.1
18	BL113H-18S	22.5	17	24	19.1
19	BL113H-19S	23.5	18	25	20.1
20	BL113H-20S	24.5	19	26	21.1
21	BL113H-21S	25.5	20	27	22.1
22	BL113H-22S	26.5	21	28	23.1
23	BL113H-23S	27.5	22	29	24.1
24	BL113H-24S	28.5	23	30	25.1



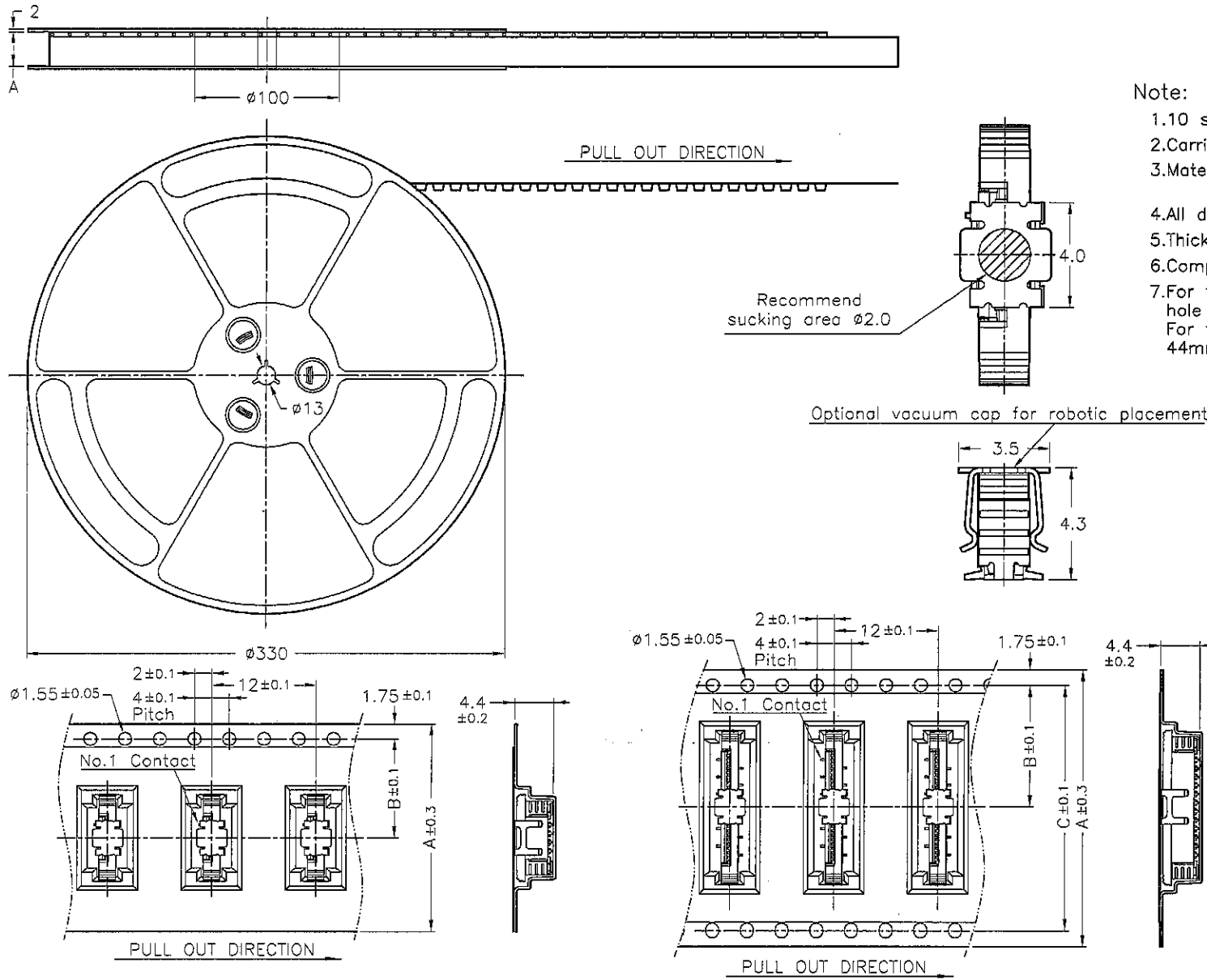
PCB Layout

TOLERANCE UNLESS SPECIFIED	SHEET 1/3	DR. BY [Signature]	MATERIAL
LINEAR	SCALE 8/1	CHK. BY [Signature]	FINISH
XX XX X' XX	UNIT mm	APP. BY [Signature]	PART NO.
.XXXX .XX XX			

SCG TAIWAN SUNCAGEY INDUSTRIAL CO., LTD.	
TITLE	1.0mm Pitch FPC/FFC Connector
DWG NO.	BL113H-xxS-xxxx

EMBOSSED TAPE PACKING BL113H SERIES S TYPE

REV.	ECO NO.	DATE	SIGN	DESCRIPTION
A	-	20100505	Eric Hsu	Release
B	EC02012030	20120525	Joye	取消3G電線規格



Note:

- 1.10 sprocket hole pitch cumulative tolerance ± 0.2
2. Carrier camber is within 1 mm in 100mm.
3. Material : Black Conductive Polystyrene Alloy
100% recyclable.
4. All dimensions meet EIA-481-B requirements.
5. Thickness : 0.3 ± 0.05 mm
6. Component load per 13" reel : 1000 pcs.
7. For tape width (dimension A) 24mm a pilot hole is provided on one side.
For tape width (dimension A) 32mm and 44mm pilot holes are provided on both sides.

No. of Contacts	Part Number	DIM. A	DIM. B	DIM. C
4	BL113H-04S	24	11.5	—
11	BL113H-11S			
12	BL113H-12S	32	14.2	28.4
16	BL113H-16S			
17	BL113H-17S			
24	BL113H-24S	44	20.2	40.4

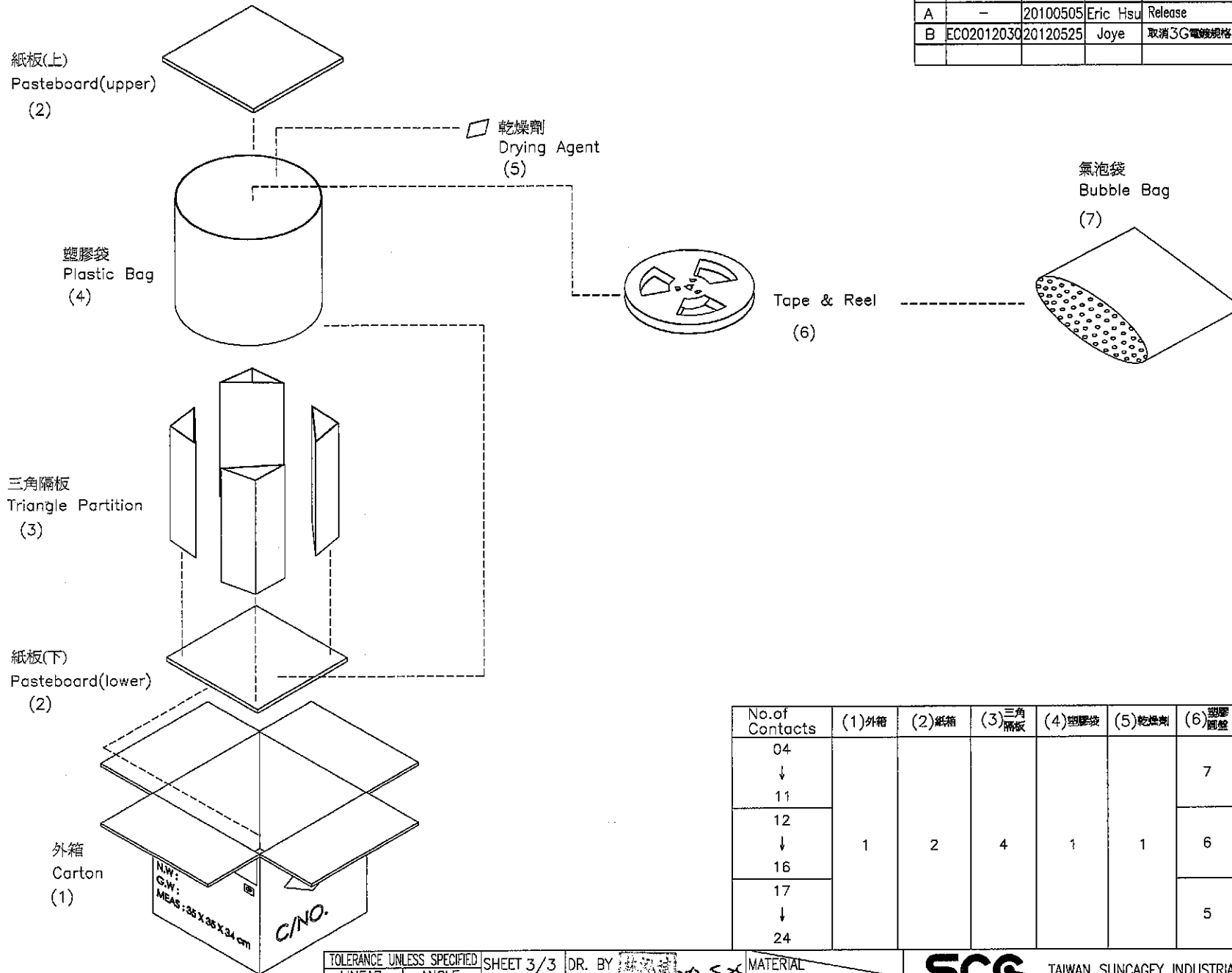
TOLERANCE UNLESS SPECIFIED		SHEET 2/3	DR. BY	MATERIAL
LINEAR	ANGLE			
XX XX	X' XX	SCALE	CHK. BY 詹文耀	FINISH
XX XX	X' XX	UNIT mm	APP. BY 林松田	PART NO.
XXXX	XX XX		2012.5.30	

	TAIWAN SUNCAGEY INDUSTRIAL CO., LTD.	
	TITLE	1.0mm Pitch FPC/FFC Connector
	DWG NO.	BL113H-xxS-xxxx

本產品不含環境管理物質規定之有害物質

[MANAGEMENT REGULATIONS FOR THE RESTRICTIVELY-USED SUBSTANCES INCLUDED IN PARTS AND DEVICES]

REV.	ECO NO.	DATE	SIGN	DESCRIPTION
A	-	20100505	Eric Hsu	Release
B	ECO2012030	20120525	Joye	取消3G電線規格



No. of Contacts	(1)外箱	(2)紙箱	(3)三角隔板	(4)塑膠袋	(5)乾燥劑	(6)膠帶	(7)氣泡袋
04							7
↓							7
11							7
↓	1	2	4	1	1		6
12							6
↓							6
16							6
↓							6
17							5
↓							5
24							5

外箱
Carton
(1)

紙板(下)
Pasteboard(lower)
(2)

三角隔板
Triangle Partition
(3)

塑膠袋
Plastic Bag
(4)

紙板(上)
Pasteboard(upper)
(2)

乾燥劑
Drying Agent
(5)

Tape & Reel
(6)

氣泡袋
Bubble Bag
(7)

N.W:
G.W:
MEAS: 86 X 36 X 34 cm
C/NO.

TOLERANCE UNLESS SPECIFIED		SHEET 3/3	DR. BY 林松田 2012.5.25	MATERIAL
LINEAR	ANGLE	SCALE	CHK. BY 詹文輝 2012.5.27	FINISH
X.XX	.X.XX	UNIT mm	APP. BY 林松田 2012.5.30	PART NO.
XX.XX	.X.XX			
XXXX	.XX.XX			

SCG TAIWAN SUNCAGEY INDUSTRIAL CO., LTD.

TITLE: 1.0mm Pitch FPC/FPC Connector
 DWG NO.: BL113H-xxS-xxxx